

Figure 1

1. General

This instruction describes the installation of the Eclipse™ jumper management panels (ECL-J1U, ECL-J2U, and ECL-J3U) manufactured by Corning.

The jumper management panel is an accessory that facilitates jumper routing in an equipment rack or cabinet with patch panels and electronics. The jumper management panel is attached to the utility rack directly above or below the equipment (Figure 1).

The ECL-J3U can also be used for low capacity slack storage on the frame (Figure 1).

2. Precautions



CAUTION: Fiber optic cable is sensitive to excessive pulling, bending, and crushing forces. Consult the cable specification sheet for the cable you are installing. Do not bend the cable more sharply than the minimum recommended bend radius. Do not apply more pulling force to the cable than specified. Do not crush the cable or allow it to kink. Doing so may cause damage that can alter the transmission characteristics of the cable; the cable may have to be replaced.

3. Accessories

To provide vertical jumper management and storage along the side of the equipment rack, use the inter-bay storage unit (ECL-IBU-7-1 or ECL-IBU-7-2).

4. Components

Jumper management panel components are illustrated in Figure 1. Also included are:

- 10-32x0.50-in rack mounting screws (8)
- 12-24x0.50-in rack mounting screws (4)
- 23-in rack mount adapter brackets (2)

5. Installation

Mount the jumper management panel directly above or below the patch panel or electronics on an equipment rack. Use the 23-in rack adapter brackets if mounting to a 23-in equipment rack.

6. Using the Jumper Management Panel

6.1 Horizontal jumper management in conjunction with the Corning connector housing (ECL-C4U)

Step 1: Remove the management panel cover by releasing the swell latches (Figure 1).

Step 2: Route the jumpers out the top and/or bottom of the patch field and through the management panel to either side of the equipment rack. If routing fiber from the front to the back of the rack, use the grommet ports shown in Figure 2. Cut the grommet at the perforation. Do not cut away the entire middle of the grommet.

Step 3: After routing the jumpers, replace the cover.

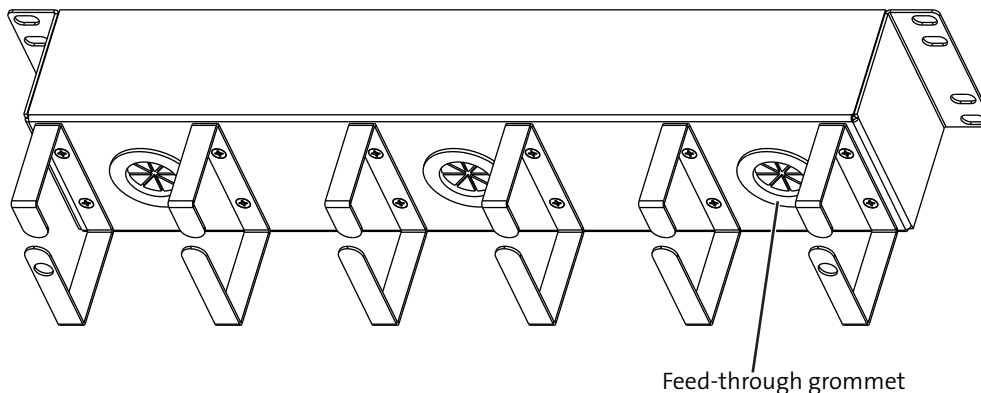


Figure 2

6.2 Jumper management panel with electronic equipment

Step 1: Remove the management panel cover.

Step 2: Route fibers from electronics above and/or below. You can also route the fibers from front to back as described in Section 6.1.

Step 3: After routing jumpers, replace the cover.

6.3 Jumper management panel as a jumper trough

- Step 1:** Mount the management panel in the same vertical rack space in adjacent equipment racks.
- Step 2:** Remove the management panel covers and lay in the jumpers.
- Step 3:** Replace the cover.

6.4 ECL-J3U management panel to store fiber slack.

- Step 1:** Remove the management panel cover.
- Step 2:** Route fiber from electronics and/or patch panels to the ECL-J3U. Wrap fiber around the two storage hubs at the front.
- Step 3:** If more storage is needed, route the fiber through the feed-through grommets to the storage hubs located on the back of the ECL-J3U.

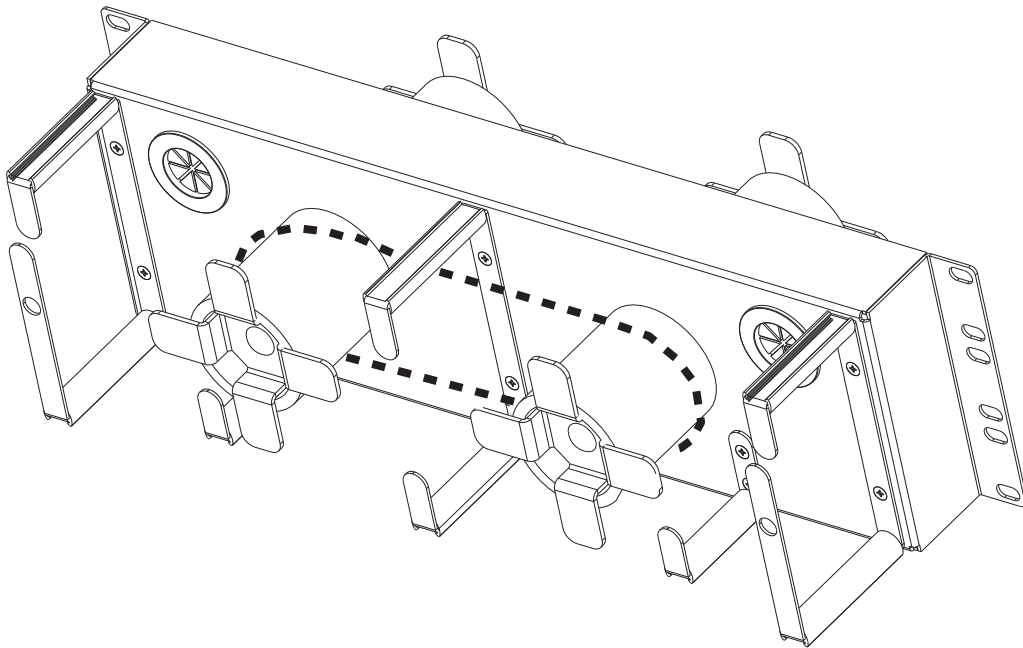


Figure 3

Corning Optical Communications LLC • PO Box 489 • Hickory, NC 28603-0489 USA
800-743-2675 • FAX: 828-325-5060 • International: +1-828-901-5000 • www.corning.com/opcomm

Corning Optical Communications reserves the right to improve, enhance, and modify the features and specifications of Corning Optical Communications products without prior notification. A complete listing of the trademarks of Corning Optical Communications is available at www.corning.com/opcomm/trademarks. All other trademarks are the properties of their respective owners. Corning Optical Communications is ISO 9001 certified. © 1997, 2016 Corning Optical Communications. All rights reserved.
