

# CORNING

## Centrix™ System Frame Installation

P/N 003-950

Issue 4

related literature | Search [www.corning.com/opcomm](http://www.corning.com/opcomm). Click on “Resources.”

003-948	Centrix System Housing Installation
003-949	Centrix System Pigtailed Housing with Pigtailed Cassette Installation
003-951	Centrix System Stubbed Housing Installation
003-959	Centrix System Pigtailed Cassette installation with WDMs and PON Devices
003-960	Centrix System Jumper Routing Guidelines
003-961	Centrix System Accessories Installation

### Table of Contents

1.	Carton Contents	2
2.	Tools and Materials Required	2
3.	Install Rear Cable Access Frame	2
3.1	Install Single Rear Cable Access Frame	2
3.2	Install Multiple Rear Cable Access Frames	5
4.	Install Front Cable Access Frame	6
4.1	Install Single Front Cable Access Frame	6
4.2	Install Multiple Front Cable Access Frames	8
4.2.1	Install Back-to-Back Lineup	8
4.2.2	Install Side-by-Side Lineup	9
4.3	Ground Frame	10

# 1. Carton Contents

- Centrix System frame with integrated interbay unit (IBU)
- Mounting template
- Hardware kit

# 2. Tools and Materials Required

- Phillips screwdriver
- 3/4-in socket or adjustable wrench
- Power drill
- 16 mm (5/8-in) or 18 mm (45/64-in) drill bit
- Front cable access strain-relief bracket with universal cable clamp (CTX-KIT-SR-FA-UCC), if additional strain-relief is needed
- (Optional) Insulating pad (CTX-PK-SA - rear cable access frame; CTX-PK-FA - front cable access frame)
- (Optional) Plug-in outlet strip, purchased from an electrical supplier, if needed

# 3. Install Rear Cable Access Frame

## 3.1 Install Single Rear Cable Access Frame

It is assumed that the floor plan, space allocation, layout work, and provisions to secure the rear cable access frame to the floor have been previously determined.

Frame Height	213.4 cm (84 in)
Frame Depth	61 cm (24 in)
Frame Width	76.2 cm (30 in)

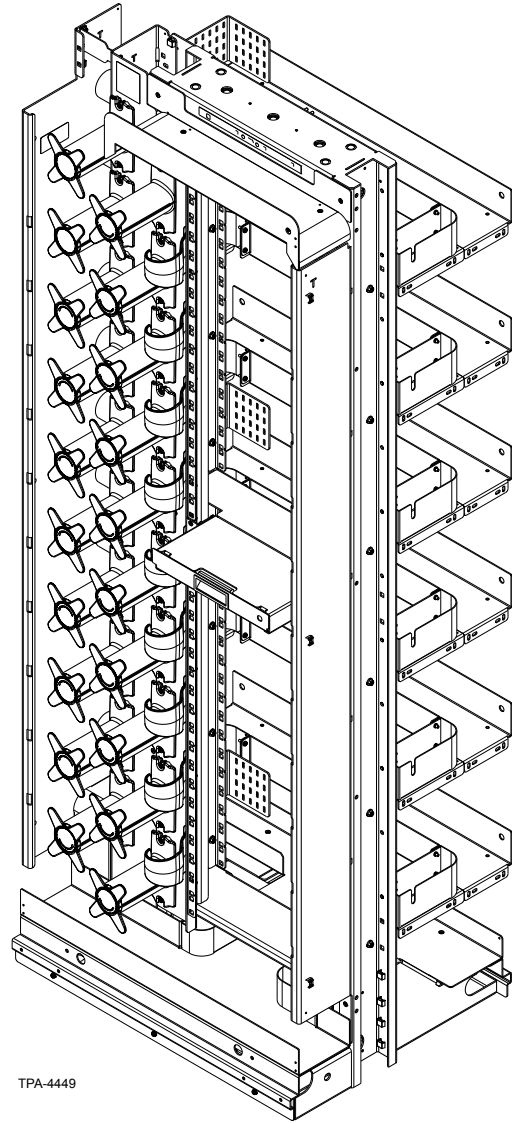
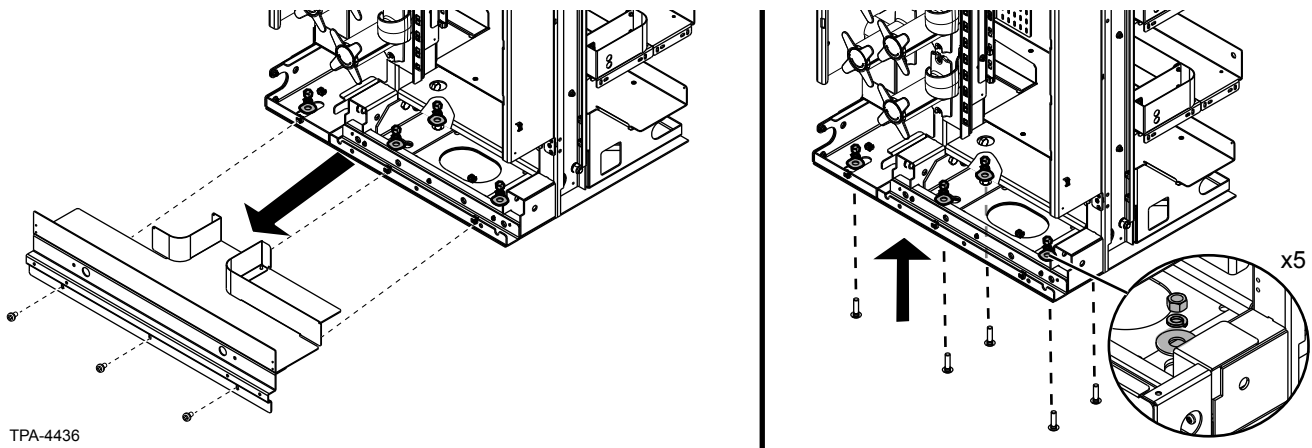


Figure 1

**Step 1:** Remove screws holding front trough and pull trough away from the frame (Figure 2 left).

**Step 2:** Remove hardware holding the frame to the pallet as shown in the bubble inset (Figure 2 right); lift frame off the pallet.



TPA-4436

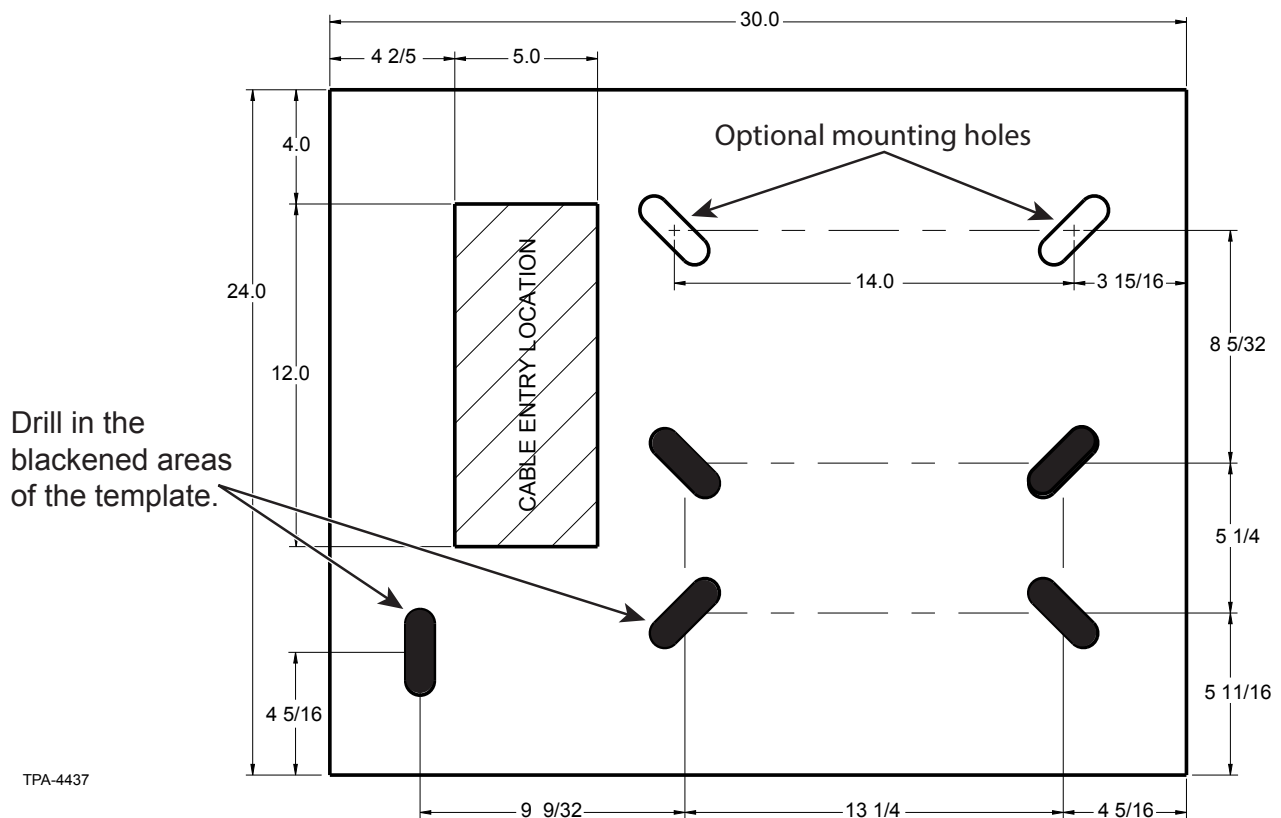
Figure 2

**Step 3:** Lay template (Figure 3) in the desired location for the frame installation.

**Step 4:** (Optional) Lay insulating pad under the provided template.

**Step 5:** Mark the holes (shown in black in the illustration) using the template.

**NOTE:** Minimum thickness of base material is 160 mm (6.3 in).



TPA-4437

Figure 3

- Step 6:** Drill holes for the anchor bolts (not provided) and remove debris (Figure 4).
- Step 7:** Insert anchor bolts and place frame over bolts (Figure 5); or place frame over holes and insert anchor bolts, depending on the type of anchor bolts being used.
- Step 8:** Secure bolts per instructions provided with the bolts.
- Step 9:** Reinstall front trough (Figure 5).

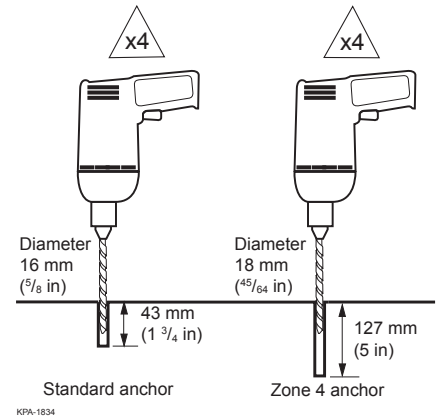
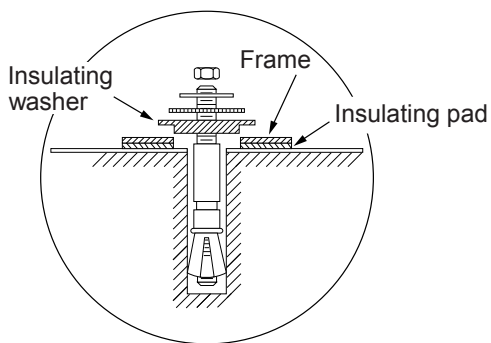
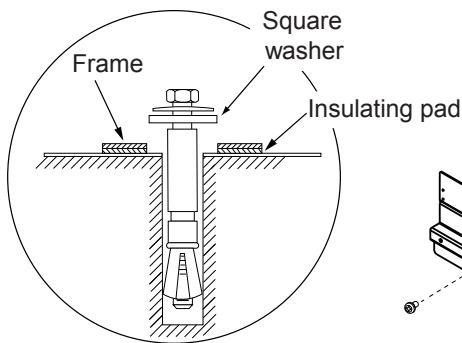


Figure 4



Standard anchor  
(≥ 12.7 mm [1/2-in bolt])



Zone 4 anchor  
(≥ 9.5 mm [3/8-in bolt])

TPA-4438

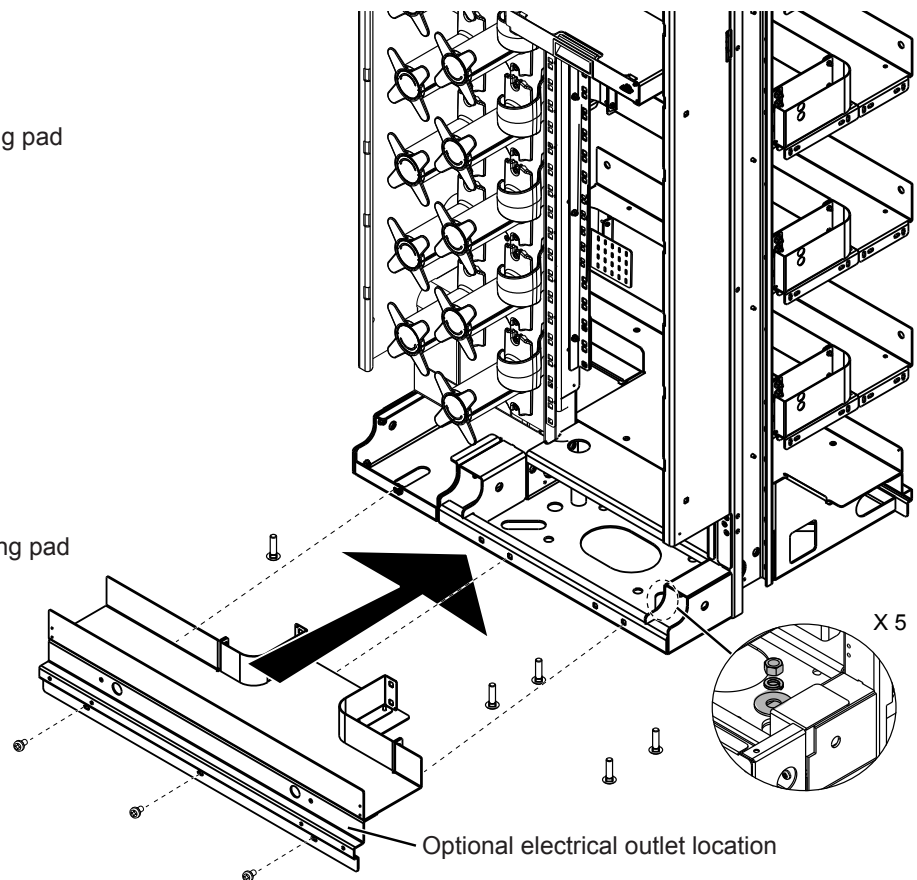


Figure 5

**NOTE:** Centrix Platorm rear cable access frames are designed to be compatible with standard plug-in outlet strips purchased from an electrical supplier. The strips may be installed in the 30-in long indentation on the front cable trough. Follow manufacturer's instructions and local electrical codes and practices when installing the outlet strip.

**Step 10:** If your standard local installation practice requires the rack to be supported from the top (Figure 6), use a 12.7 mm (1/2-in) diameter J-bolt or threaded rod to secure the rack to the overhead support. This hardware is not provided but is available from your overhead rack supplier.

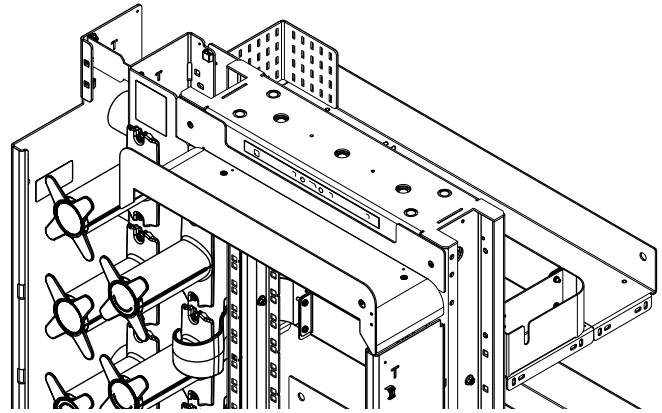


Figure 6

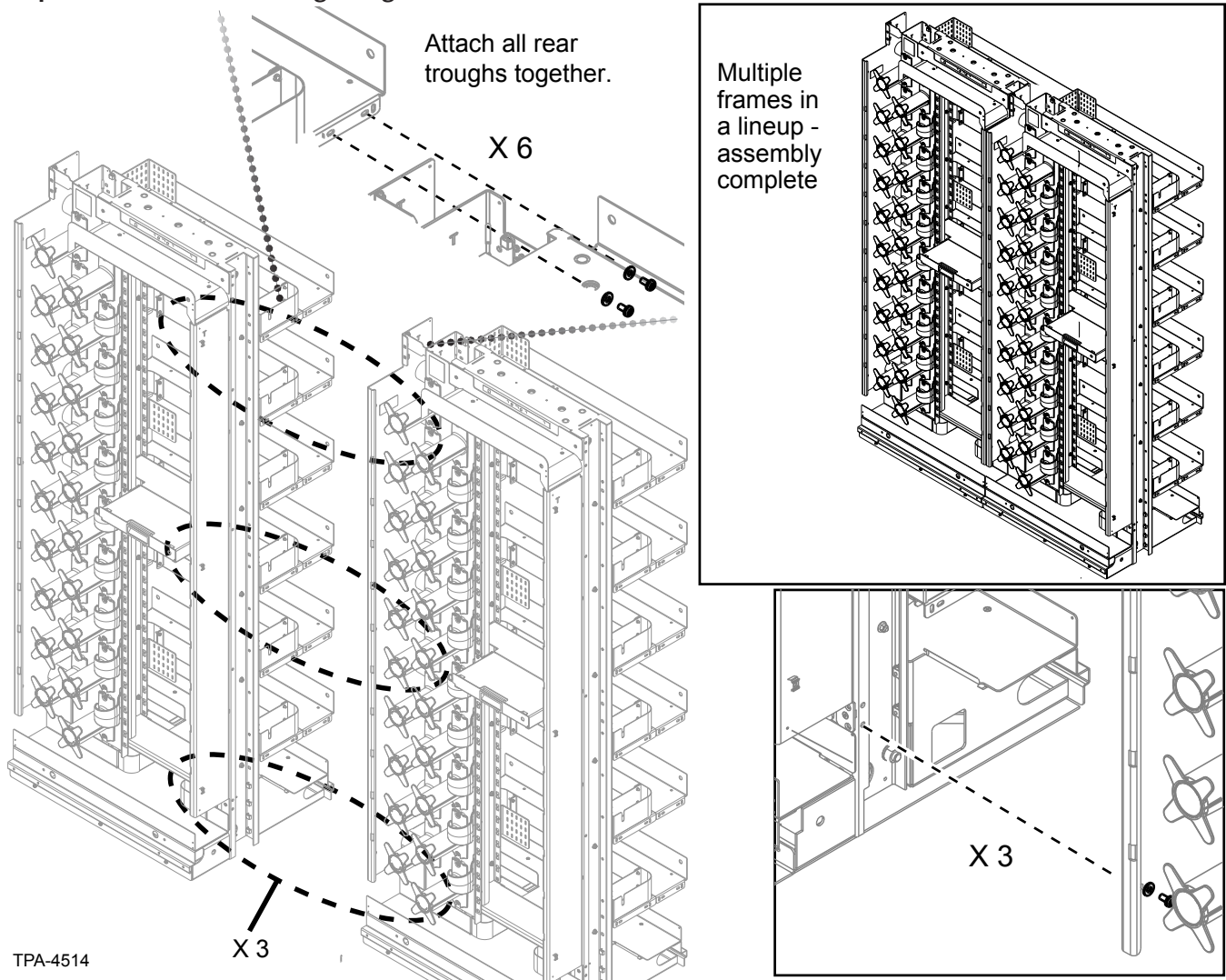
### 3.2 Install Multiple Rear Cable Access Frames

**Step 1:** Install first frame as described in Section 3.

**Step 2:** Install second frame in the same manner next to the first frame.

**Step 3:** Secure the second frame to the first frame with the hardware provided at the attachment points shown in Figure 7.

**Step 4:** Attach all rear troughs together as shown.



TPA-4514

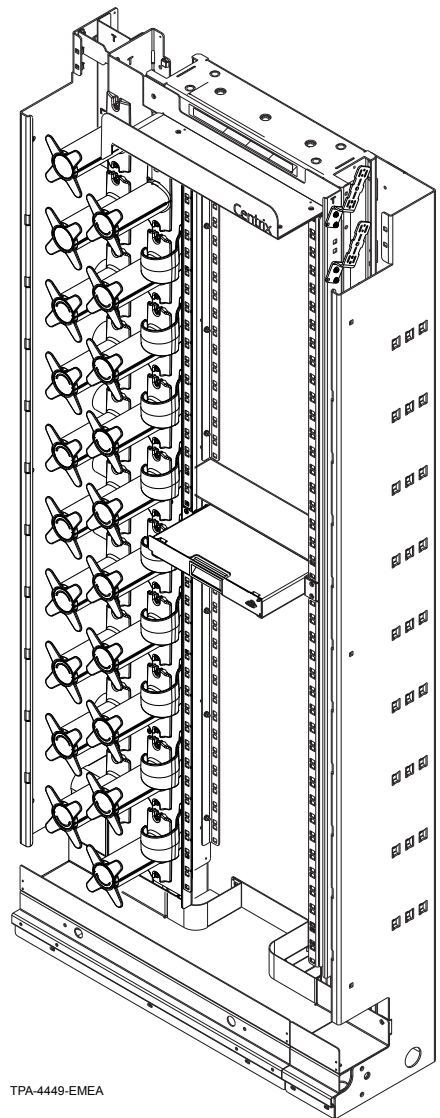
Figure 7

## 4. Install Front Cable Access Frame

### 4.1 Install Single Front Cable Access Frame

It is assumed that the floor plan, space allocation, layout work, and provisions to secure the front cable access frame (Figure 8) to the floor have been previously determined.

Frame Height	213.4 cm (84 in)
Frame Depth	30 cm (11.81 in)
Frame Width	90 cm (35.4 in)

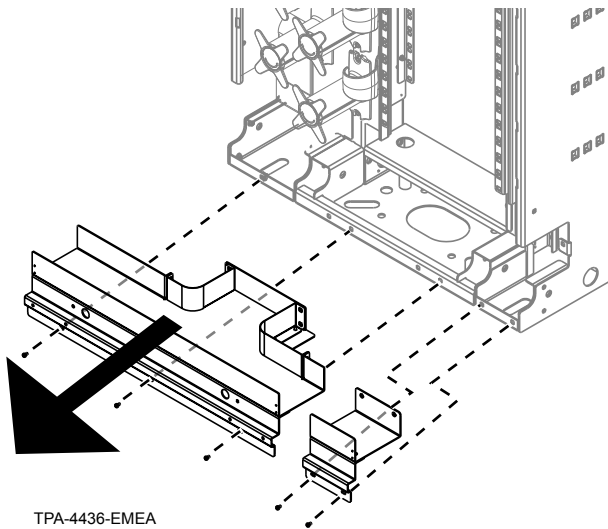


TPA-4449-EMEA

Figure 8

**Step 1:** Remove screws holding troughs and pull troughs away from the frame (Figure 9 left).

**Step 2:** Remove hardware holding the frame to the pallet as shown in the bubble inset (Figure 9 right); lift frame off the pallet.



TPA-4436-EMEA

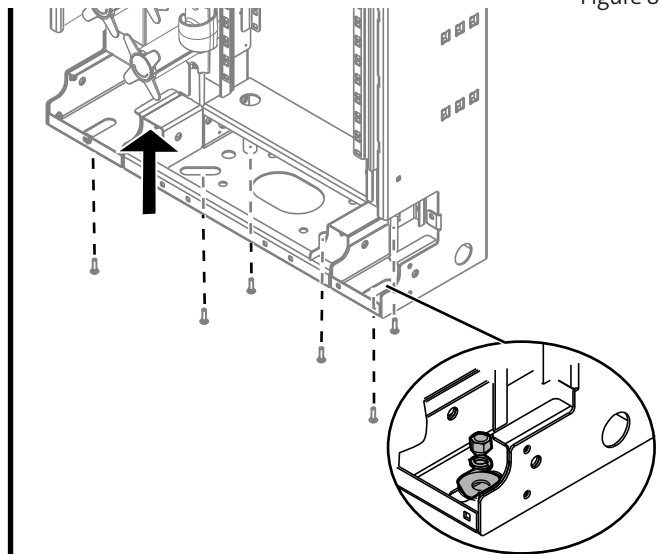


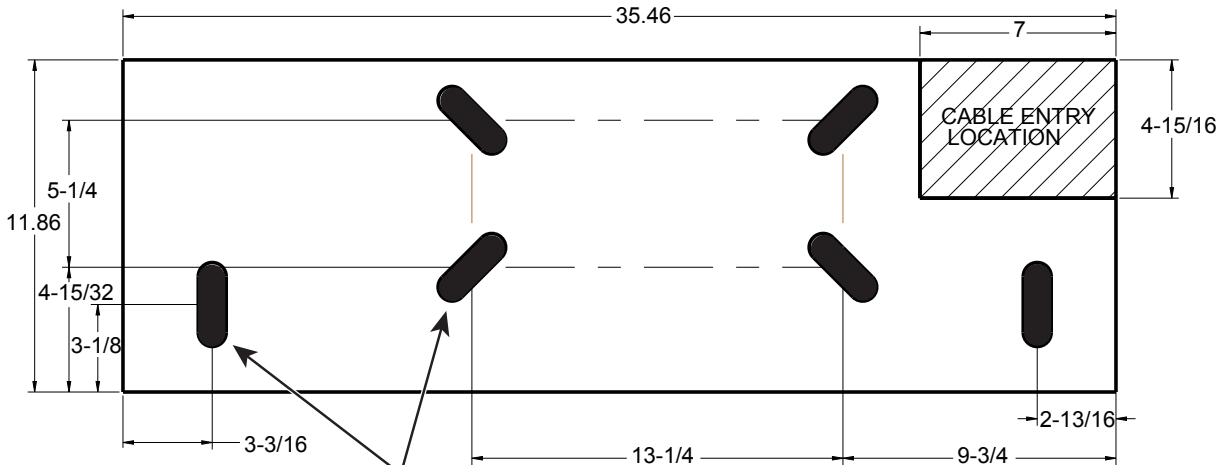
Figure 9

**Step 3:** Lay template (Figure 10) in the desired location for the frame installation.

**Step 4:** (Optional) Lay insulating pad under the provided template.

**Step 5:** Mark the holes (shown in black in the illustration) using the template.

**NOTE:** Minimum thickness of base material is 160 mm (6.3 in).



Drill in the blackened areas of the template.

TPA-4437-EMEA

Figure 10

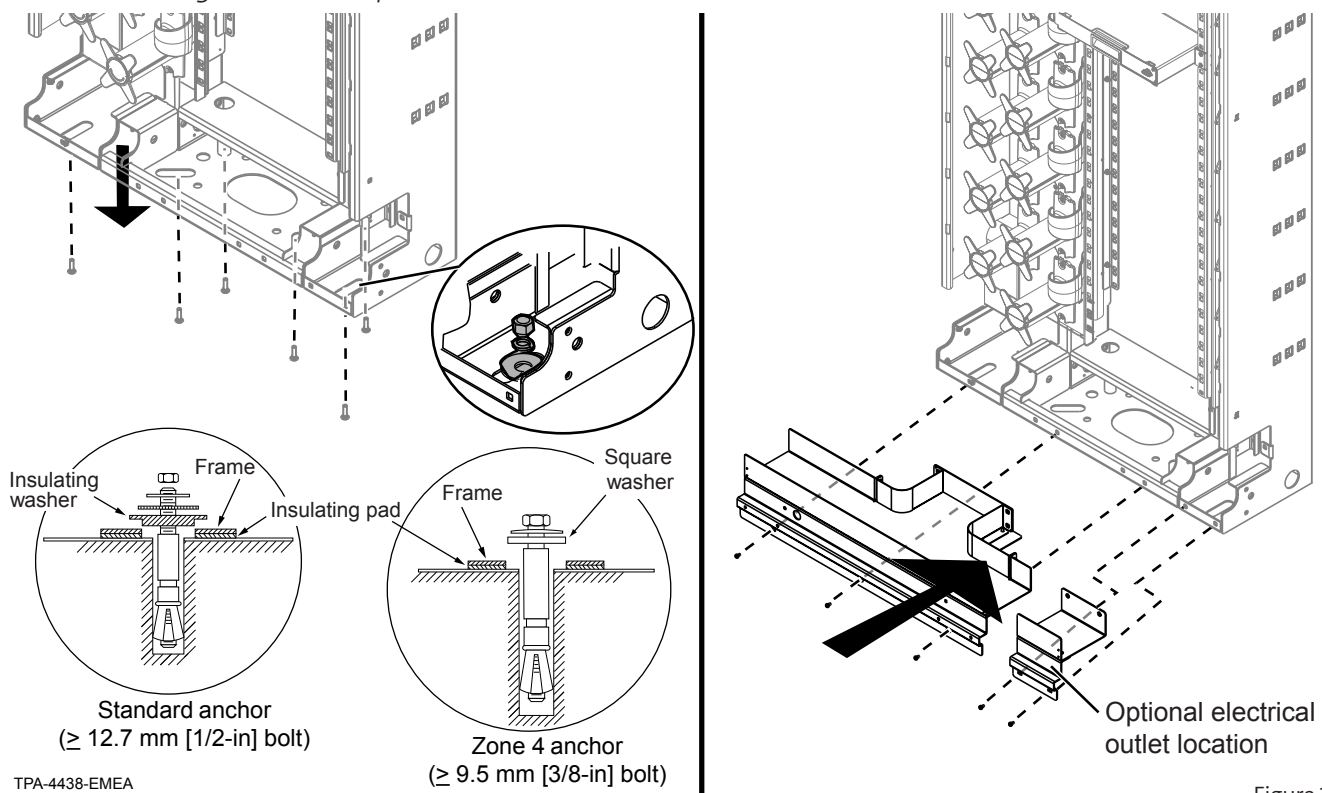
**Step 6:** Drill holes for the anchor bolts (not provided) (Figure 4) and remove debris.

**Step 7:** Insert anchor bolts and place frame over bolts (Figure 11 left); or place frame over holes and insert anchor bolts, depending on the type of anchor bolts being used.

**Step 8:** Secure bolts per the instructions provided with the bolts.

**Step 9:** Reinstall troughs (Figure 11 right).

**NOTE:** Centrix Platorm front cable access frames are designed to be compatible with standard plug-in outlet strips purchased from an electrical supplier. The strips may be installed in the indentation on the front cable trough (Figure 11). Follow manufacturer's instructions and local electrical codes and practices when installing the outlet strip.



TPA-4438-EMEA

Figure 11

**Step 10:** If your standard local installation practice requires the rack to be supported from the top (Figure 12), use a 2.7 mm (1/2 in) diameter J-bolt or threaded rod to secure the rack to the overhead support. This hardware is not provided but is available from your overhead rack supplier.

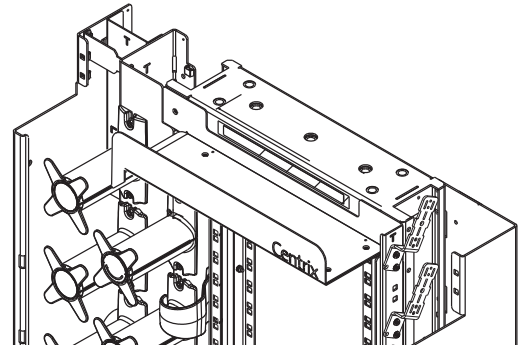


Figure 12

## 4.2 Install Multiple Front Cable Access Frames

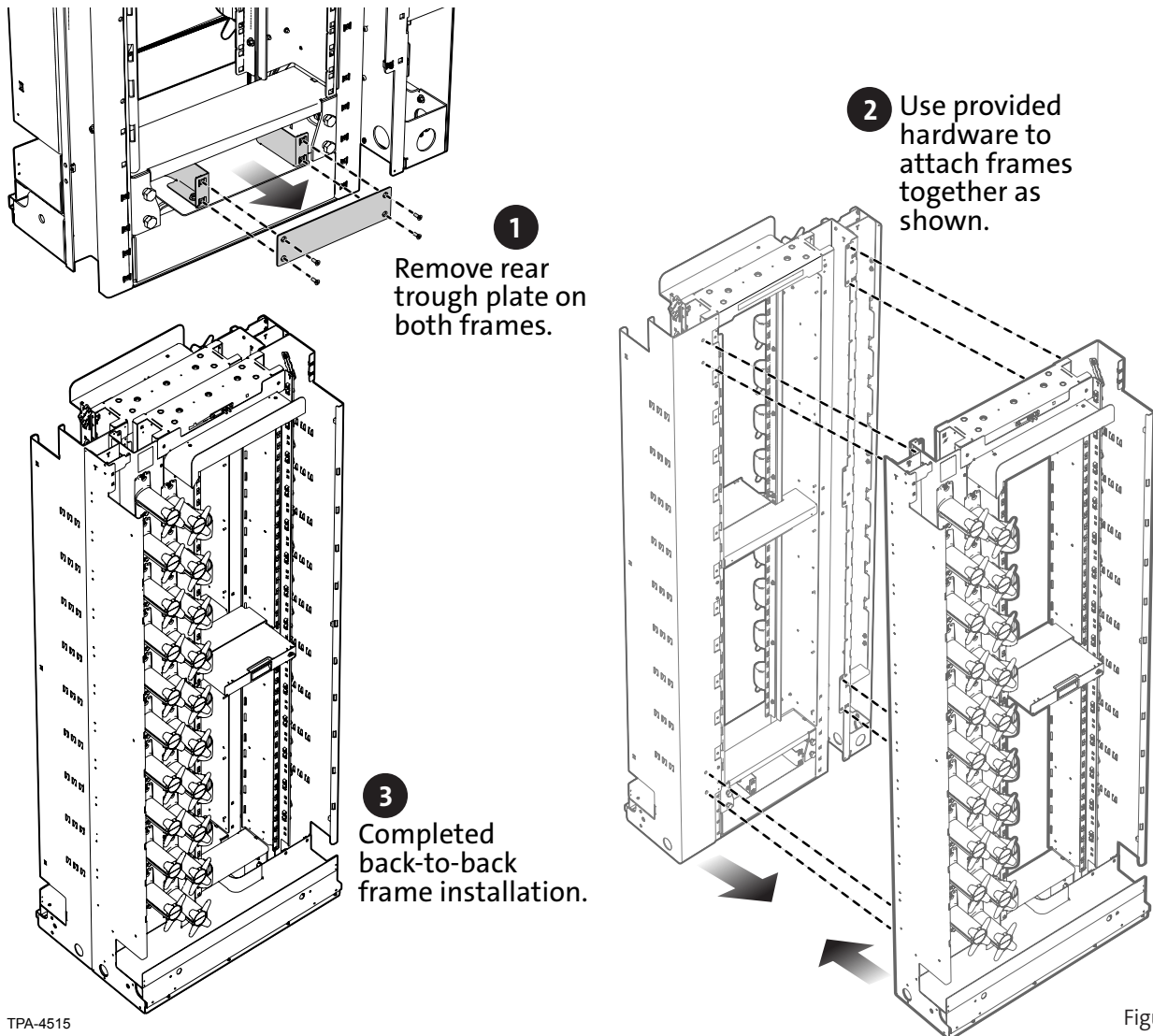
### 4.2.1 Install Back-to-Back Lineup

**Step 1:** Remove rear trough plate (Figure 13) on each frame.

**Step 2:** Install first frame as described in Section 4.1.

**Step 3:** Install second frame in the same manner behind the first frame.

**Step 4:** Secure the second frame to the first frame with the hardware provided at the attachment points shown in Figure 13.



TPA-4515

Figure 13

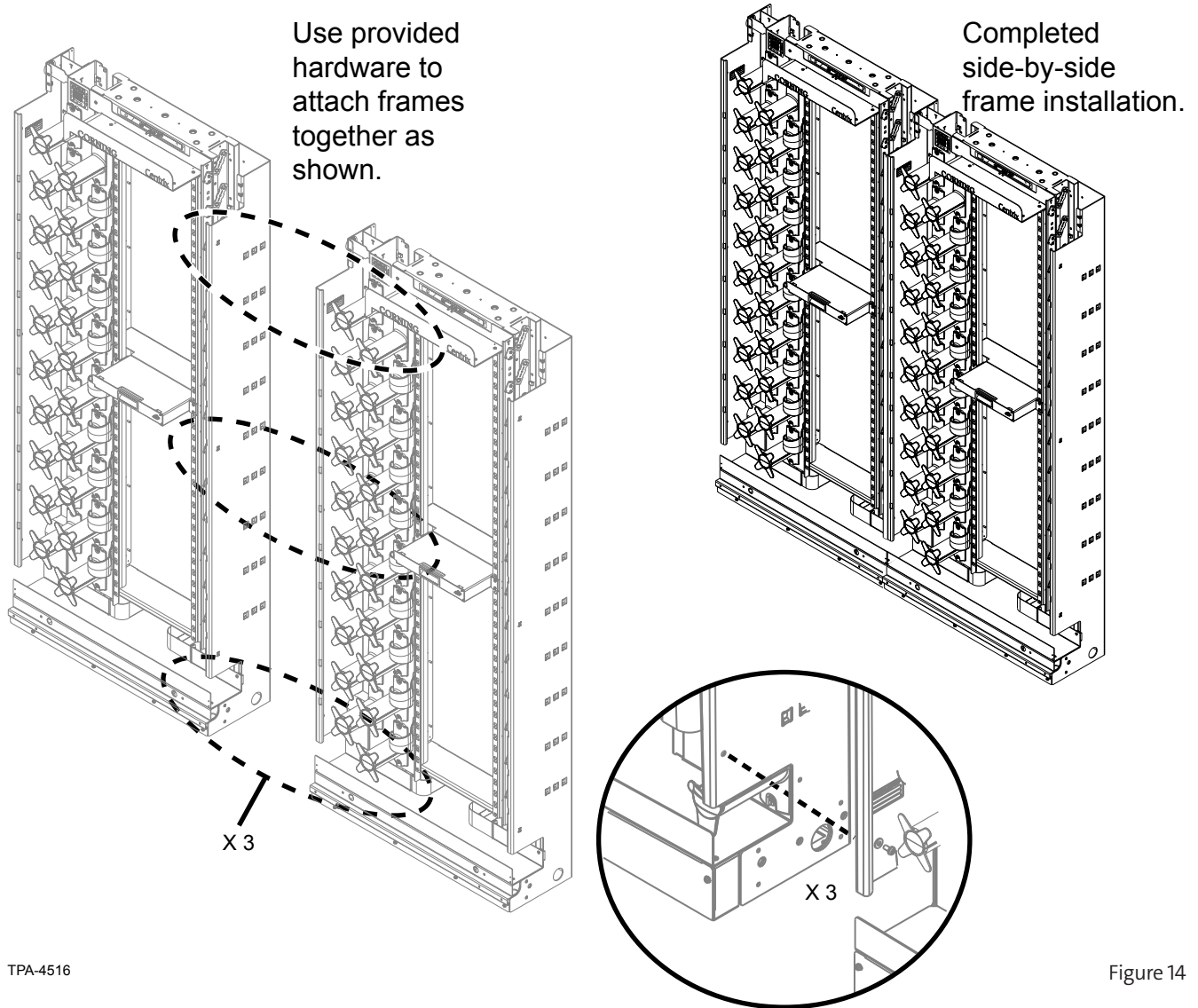


## 4.2.2 Install Side-by-Side Lineup

**Step 1:** Install first frame as described in Section 4.1.

**Step 2:** Install second frame in the same manner next to the first frame.

**Step 3:** Secure the second frame to the first frame with the hardware provided at the attachment points shown in Figure 14.



TPA-4516

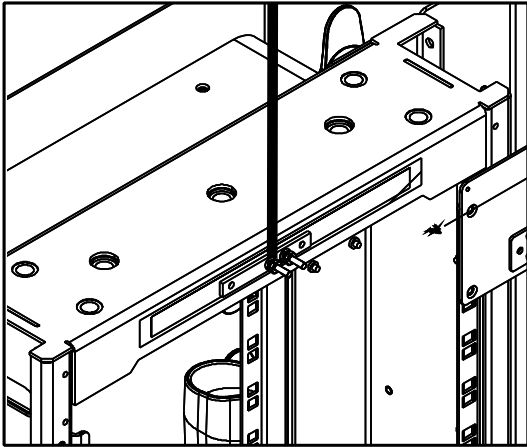
Figure 14

### 4.3 Ground Frame

Follow standard company practices and local codes to ground the frame using the ground bar at the top of the frame (Figure 15).

## Grounding

Rear cable access



TPA-4795

Front cable access

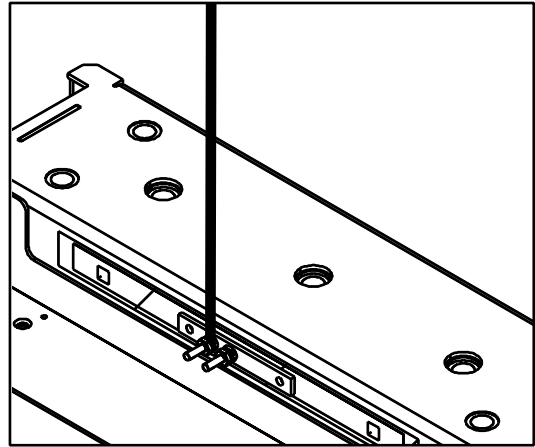


Figure 15